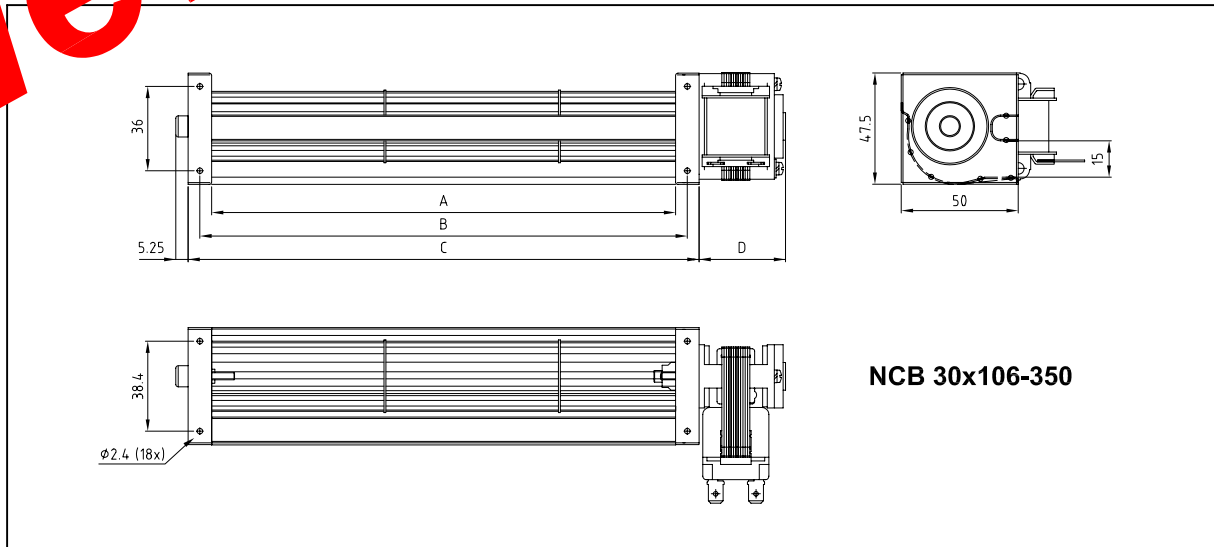
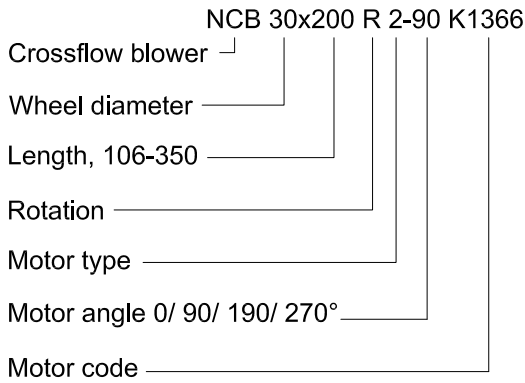


News

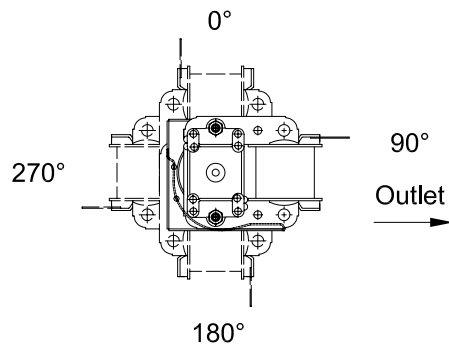


Blower	A	B	C	D
NCB 30x106	104	114	124	40-60
NCB 30x150	148	158	168	40-60
NCB 30x200	198	208	218	40-60
NCB 30x230	228	238	248	40-60
NCB 30x250	248	258	268	40-60
NCB 30x300	302.6	312.6	322.6	40-60
NCB 30x350	352.6	362.6	372.6	40-60

Crossflow blower description example :



Alternative motor angles :



New motor type

Blower	Motor: FER 1	Motor: FER 2	Motor: FER 3	Motor: FER 4
NCB 30x106	25 m ³ /h	27 m ³ /h	30 m ³ /h	32 m ³ /h
NCB 30x150	32 m ³ /h	38 m ³ /h	43 m ³ /h	46 m ³ /h
NCB 30x200	40 m ³ /h	50 m ³ /h	54 m ³ /h	63 m ³ /h
NCB 30x230	43 m ³ /h	52 m ³ /h	56 m ³ /h	70 m ³ /h
NCB 30x250	45 m ³ /h	55 m ³ /h	60 m ³ /h	75 m ³ /h
NCB 30x300	-	65 m ³ /h	75 m ³ /h	110 m ³ /h
NCB 30x350	-	80 m ³ /h	90 m ³ /h	118 m ³ /h

Airflow measured at 0 Pa and free air. Individual motor differences can occur.
Standard for all motor types: Insulation class: B or H, Volt/Hz: 230/50 alt. 120/60.

