



MODEL G307A & H307A

INSTALLATION, OPERATING INSTRUCTIONS, & PARTS LIST

Pre-Installation

1. Both heater models are shipped assembled except for the grille, vent transition, and misc. hardware bag. Unpack complete unit from carton and set various loose parts in safe place for later use.

NOTE: Builders packs are shipped disassembled and steps 1 and 2 are not required.

2. To install on 16" centers per Fig. 1 the heater module assembly must be removed. First remove 3 screws (Item 9A). Then unplug brown plug from receptacle. Next grasp the rectangular opening of the module and squeeze together enough to clear the grille support bracket. Pull assembly straight out of housing and set aside.

NOTE: It is not necessary to remove the heater module assembly if installing the housing with brackets (Item 24) per Fig. 2, however, it is advisable because of the reduced weight making for easier installation.

3. Select a suitable ceiling location where a 9" x 14 3/8" hole can be cut to install housing per Fig. 1, 2 or 3. In selecting the location be certain the area is free of heat and water pipes, electrical wiring, etc. Also, be certain a 4 in. dia. duct can be connected to an outside vent and the necessary wiring can be connected to the unit.

Housing Installation

4. Remove desired electrical knockout and mount housing to ceiling per Fig. 1, 2 or 3. If installing per Fig. 2 it may be necessary to notch joist to allow for vent duct.

NOTE: Mounting straps are not provided with the housing (Fig. 3) but are available as a sales accessory. The straps are intended for special installations and are locked to the housing by bending down tabs on the slots.

5. Attach the transition (Item 2) to the housing by pushing on rectangular opening. Then vent to outside using a 4 in. duct.

NOTE: Transition can only be attached one way. Position it on the housing such that part does not extend past end of housing.

Electrical Wiring

6. Turn off electrical power and install proper switch box at desired

location. Then run 20 amp. 12 ga. house wiring with ground to the switch box.

- 6A. Run 20 amp. 12 ga. house wiring with ground from switch to unit. For model G307A use 3 conductor with ground. For Model H307A use 4 conductor with ground.

7. Remove connection box (Item 5) from housing. Add romex connector and route wiring into housing. Make connections at unit and switch per wiring diagrams.

Caution: Unit must be grounded. Attach ground wire to green screw in bottom of connection box and suitable ground.

Note: All wiring must conform to local codes. If in doubt check with local authority.

Final Installation

8. Replace connection box and plug in vent motor, black receptacle (Item 8).

Note: On builders pack it will be necessary to install motor to housing before completing Step 8.

9. Install heater module by tilting into housing such that paddle wheel clears center support. Then push on rectangular opening of module until it snaps by grille support bracket. Add 3 screws (Item 9A) and install plug in brown receptacle.

10. Install grille using 2 screws (Item 18) on Model H307A plug in white plug to white receptacle first.

11. On Model H307A install light bulb (not included) in socket. 100 watts max.

12. Turn on power and check unit for operation.

13. On Model H307A only, install lens (Item 17) by placing lens over clip at an angle and pushing in until opposite side can be tilted into grille opening. Force lens up and slide back until it seats.

- 13A. To remove lens force up on one of spring clips and slide over until lens can be tilted out. Then pull free.

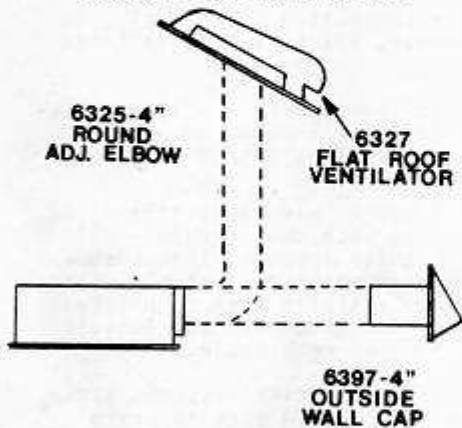
14. For efficient operation remove grille and clean complete unit at least once a year.

NOTE: To avoid damage to grille wash in mild soap solution only.

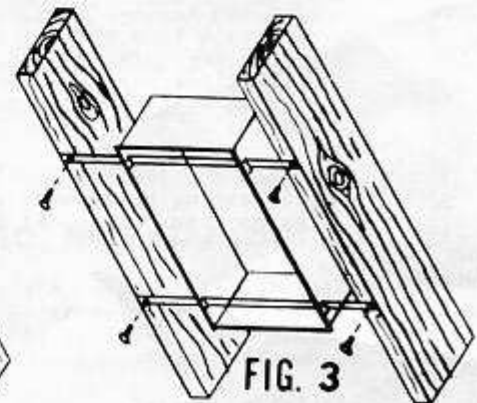
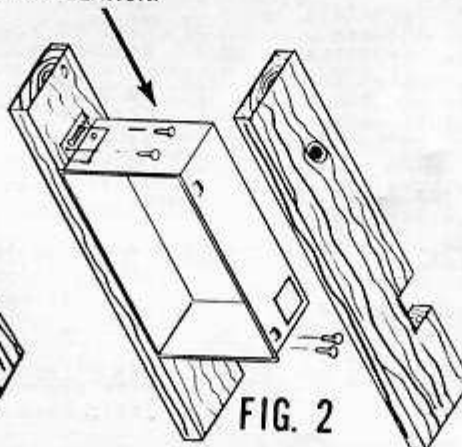
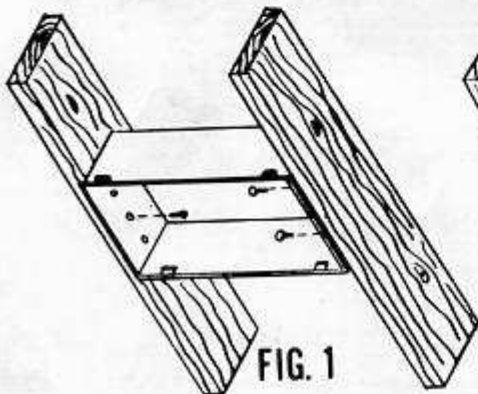
Element Replacement

1. Disconnect power to unit.
 2. Remove grille by taking out screws (Item 18). On Model H307A only remove white plug from receptacle.
 3. Remove heater module ass'y. from housing by disconnecting brown plug from receptacle and following Step 2 of pre-installation.
 4. Set complete module assembly on bench. First remove brass nut at ceramic piece on both sides of module. Then remove the two wires attached to each post.
 5. Remove 4 screws (Item 9B) and remove heater bulkhead from the heater module.
 6. Remove remaining brass nuts from screws. Remove two screws thus freeing the heater coil.
- NOTE: Handle ceramic parts with care to prevent breakage.
7. Install new coil as shown in exploded view.
 8. Re-install module ass'y. in reverse of Steps 1 thru 6 above.

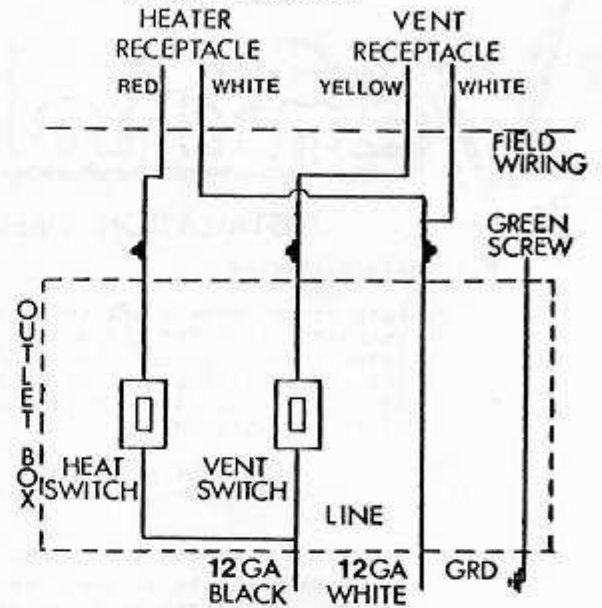
INSTALLATION DETAILS



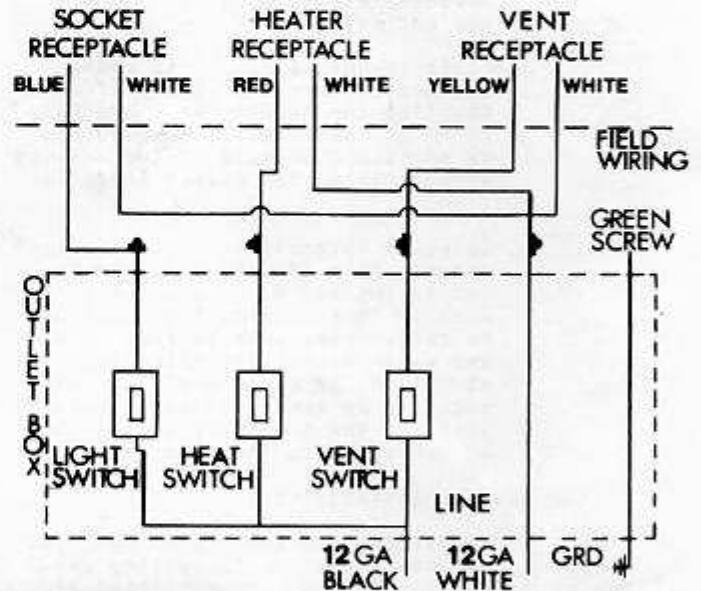
A 4" NOTCH MUST BE CUT IN JOIST FOR VENT DUCT IN THIS METHOD OF INSTALLATION.



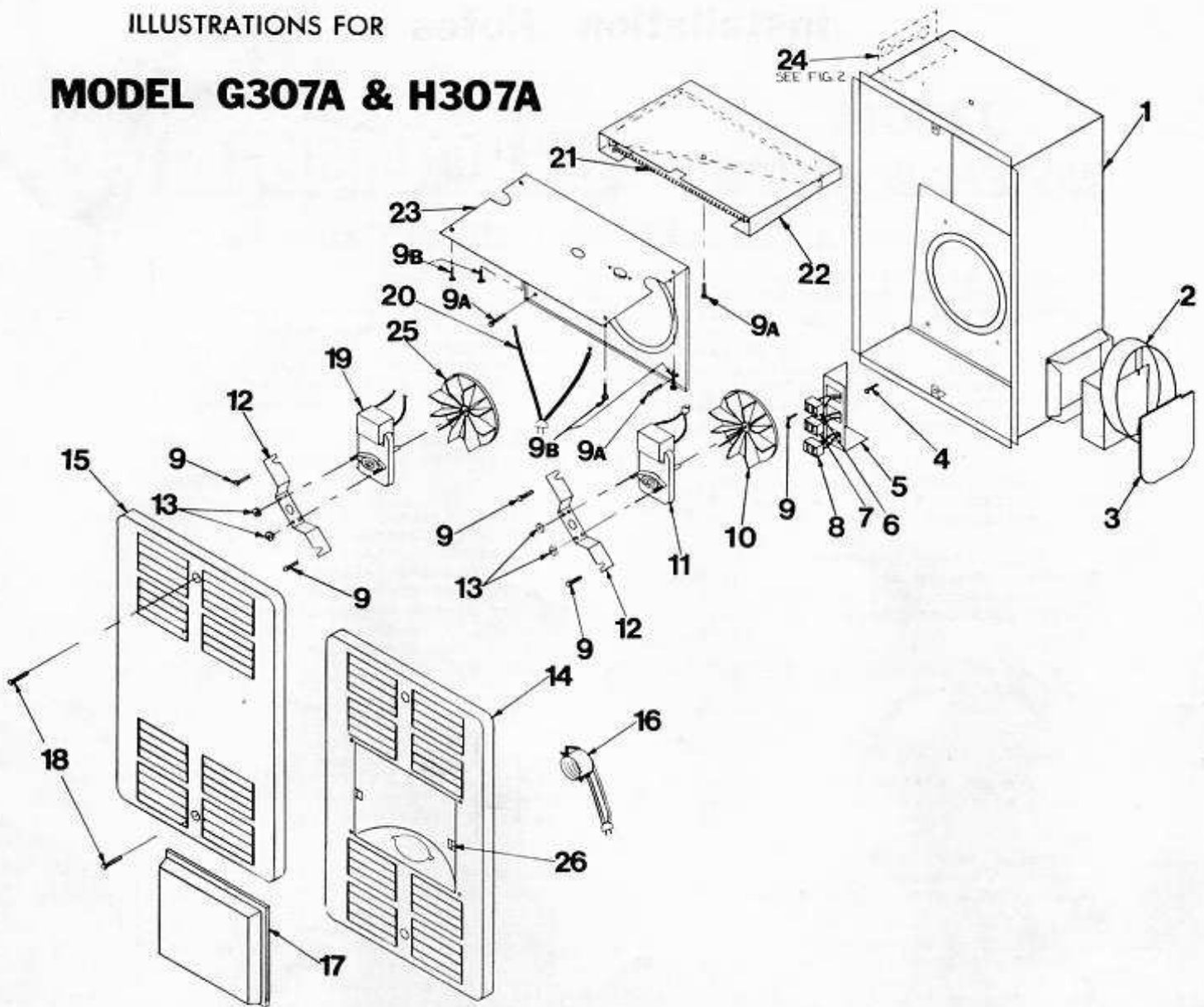
G307A WIRING DIAGRAM



H307A WIRING DIAGRAM



ILLUSTRATIONS FOR
MODEL G307A & H307A



REPAIR PARTS LIST — The following parts may be ordered through your nearest distributor.

WHEN ORDERING REPAIR PARTS ALWAYS GIVE THE FOLLOWING INFORMATION:

1. The Part No. in this list. 2. The Part Name in this list. 3. The Model No. of the heater will be found on the inside surface of the housing.

Key No.	Part No.	Description	Key No.	Part No.	Description
1	54D126-1	Housing Assembly	14	42C107-1	Grille Ass'y. for H307A Only
2	16C100-1	Transition	15	14C118-4	Grille for G307A Only
3	23B112-1	Shutter	16	19A106-1	Socket for H307A Only
4	X194-85	Ground Screw	17	38A109-1	Lens for H307A Only
5	22B103-2	Connection Box-G307A Only	18	8A113-1	Grille Screws (2 Req'd.)
	22B103-3	Connection Box-H307A Only	19	5A141-9	Motor - Heater
6	E118-7	Receptacle-White H307A Only	20	55A118-2	Lead & Plug Ass'y.
7	E118-5	Receptacle-Brown	21	58B101-6	Heater Coil
8	E118-6	Receptacle-Black	22	54C119-1	Heater Module
9	X116-84	Screw (12 Req'd.)	23	74C101-1	Heater Bulkhead
10	7A111-1	Paddle Wheel - Vent	24	2A142-1	Mounting Bracket (2 Req'd.)
11	5A141-1	Motor - Vent	25	7A111-4	Paddle Wheel - Heater
12	2B101-2	Motor Bracket (2 Req'd.)	26	47A108-1	Lens Clip(2 Req'd.)H307A Only
13	X661-72	Nut - Motor (4 Req'd.)	27	20A161-1	Instruction Sheet(Not Shown)

This is a Repair Parts List, Not a Packing List — Order by Part Number, Not Key Number.

Installation Notes

Ventrola

LIMITED WARRANTY

Ventrola Products are warranted to be free from defects in material and workmanship for twelve (12) months from the original date of installation unless otherwise stated when installed and operated in accordance with our instructions.

During this Warranty period, Ventrola will repair or replace at Ventrola's sole option, free of charge, any defective parts returned prepaid to Ventrola Manufacturing plant located in Plano, Texas.

Please provide the model number of the product, original date of installation and nature of difficulty being experienced. There will be charges rendered for product repairs made after our Warranty Period has expired.

ALL IMPLIED WARRANTIES WITH RESPECT TO VENTROLA

PRODUCTS INCLUDING IMPLIED WARRANTIES FOR MERCHANTABILITY AND IMPLIED WARRANTIES FOR FITNESS ARE LIMITED IN DURATION TO TWELVE (12) MONTHS FROM ORIGINAL DATE OF INSTALLATION.

Ventrola Warranty does not cover damage or failure caused by improper installation, abuse, misuse, abnormal usage, improper maintenance or any repairs other than those authorized or provided by Ventrola Manufacturing Company.

THERE ARE NO OBLIGATIONS OR LIABILITIES ON THE PART OF VENTROLA MANUFACTURING COMPANY FOR CONSEQUENTIAL DAMAGES ARISING OUT OF OR IN CONNECTION WITH THE CASE OR PERFORMANCE OF THE PRODUCT OR OTHER INDIRECT DAMAGES WITH RESPECT TO LOSS OF REVENUES OR PROFIT.

VENTROLA MANUFACTURING CO., OWOSSO, MICHIGAN

product of **Ventrola**[®] **MANUFACTURING COMPANY/PLANO, TEXAS 75074**